

V2V L and V3V L shutoff valves belong to the LINE ON LINE® family which means they can be connected to all the other components in series or in parallel. Available in the version for pipe-pipe connection with two push-in fittings, and in the version for thread-pipe connection with a brass nickel-plated male thread and a push-in fitting.

V2V is a two-way unidirectional valve, while V3V is a three-way valve with free discharge in the area around the control knob.

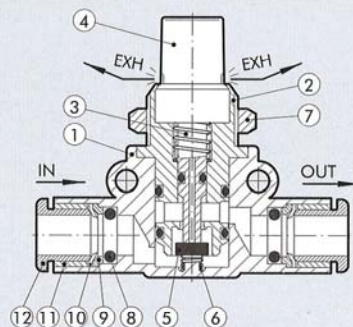
The locked version is probably the smallest available on the market. A lock is provided to ensure the valve is kept in the closed position during machine maintenance. The valve is supplied complete with a lock and two keys.



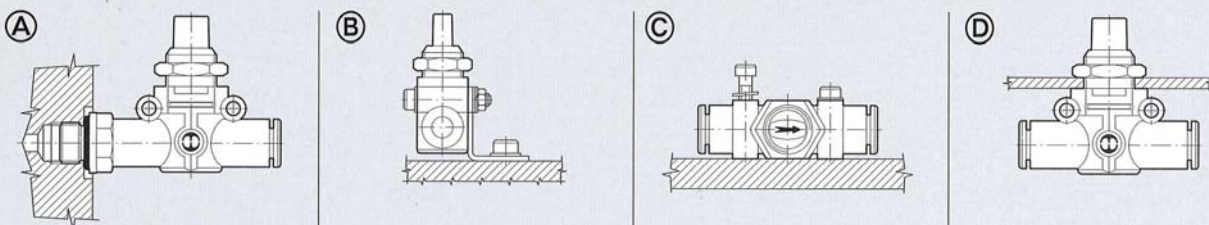
TECHNICAL DATA		Ø 6	Ø 8
Operating pressure	MPa	1	
	bar	10	
	psi	145	
Temperature range	°C	- 20 to + 60	
	°F	- 4 to + 140	
Flow rate at 6.3 bar ΔP 1 bar	Nl/min	280	470
Exhaust flow rate at 6.3 bar	Nl/min	110	110
Recommended pipe		Rilsan PA11 - Nylon 6 - Polyamide 12 - Polypropylene	
Fluid		Lubricated or unlubricated filtered compressed air; if used, must be continuous	

COMPONENTS

- ① Technopolymer body
- ② Nickel-plated brass insert
- ③ Brass rod
- ④ Technopolymer knob
- ⑤ NBR valve
- ⑥ Stainless steel valve compression spring
- ⑦ Nickel-plated brass wall-mount ring nut
- ⑧ NBR gasket
- ⑨ Technopolymer spring ring
- ⑩ Stainless steel folding spring
- ⑪ Technopolymer locking bushing
- ⑫ Technopolymer release bushing



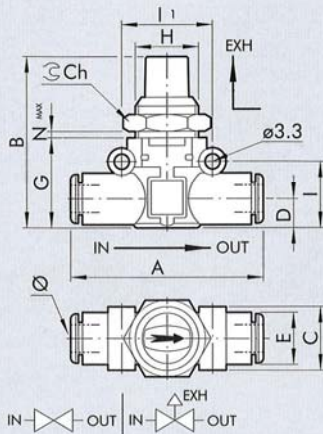
ASSEMBLY OPTIONS



How to mount the V2V/V3V L:

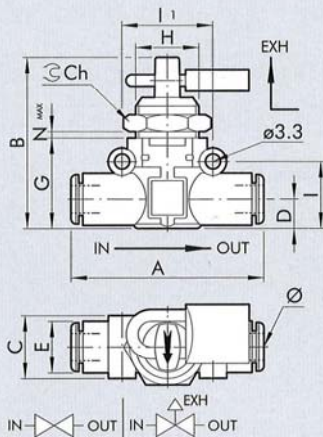
- Fig. A With the male threaded port it is possible to mount the V2V/V3V L straight onto the female thread.
- Fig. B Fixing to the plate with the special SQU L bracket.
- Fig. C There are two robust rings on the plastic body for fixing the V2V/V3V L straight onto the wall.
- Fig. D The rig nut is screwed onto the threaded metal part of the V2V/V3V L body for panel mounting.

V2V/V3V L PIPE-PIPE



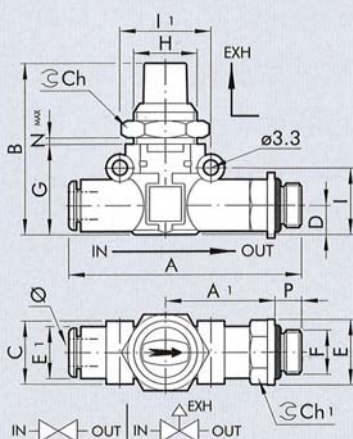
Code	Ref.	Ø	A	B	C	D	E	G	H	I	II	Ch	Nmax
450-6	V2V L 6-6	6	49.4	41	14.7	6.4	11.4	21	M15x1	14.6	20	17	5.5
-	V3V L 6-6												
450-8	V2V L 8-8	8	57.3	46	18.7	9.1	13.8	26	M15x1	18.7	24	17	5.5
-	V3V L 8-8 KEY												

V2V/V3V L PIPE-PIPE PADLOCKED



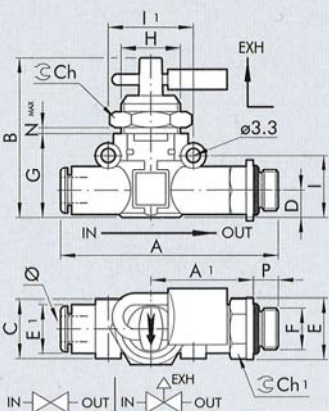
Code	Ref.	Ø	A	B	C	D	E	G	H	I	II	Ch	Nmax
-	V2V L 6-6 KEY	6	49.4	41	14.7	6.4	11.4	21	M15x1	14.6	20	17	5.5
-	V3V L 6-6 KEY												
-	V2V L 8-8 KEY	8	57.3	46	18.7	9.1	13.8	26	M15x1	18.7	24	17	5.5
-	V3V L 8-8 KEY												

V2V/V3V L PIPE-THREAD



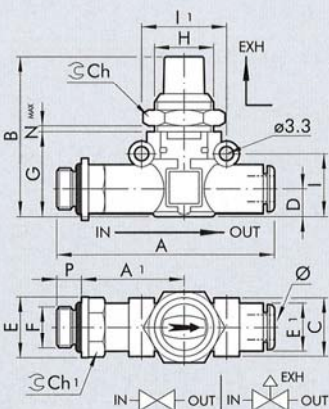
Code	Ref.	Ø	F	P	A	A1	B	C	D	E	E1	G	H	I	II	Ch	Ch1	Nmax	
452.018-6	V2V L 6-1/8	6	1/8	6	58.5	27.8	41	14.7	6.4	14	11.4	21	M15x1	14.6	20	17	12	5.5	
-	V3V L 6-1/8																		
452.014-6	V2V L 6-1/4	6	1/4	8	61.5	28.8	41	14.7	6.4	18	11.4	21	M15x1	14.6	20	17	14	5.5	
-	V3V L 6-1/4																		
452.018-8	V2V L 8-1/8	8	1/8	6	66.2	31.8	46	18.7	9.1	15	13.8	26	M15x1	18.7	24	17	14	5.5	
-	V3V L 8-1/8																		
452.014-8	V2V L 8-1/4	8	1/4	8	70.6	34.2	46	18.7	9.1	18	13.8	26	M15x1	18.7	24	17	14	5.5	
-	V3V L 8-1/4																		
452.038-8	V2V L 8-3/8	8	3/8	9	72.2	34.8	46	18.7	9.1	22	13.8	26	M15x1	18.7	24	17	17	5.5	
-	V3V L 8-3/8																		

V2V/V3V L PIPE-THREAD PADLOCKED



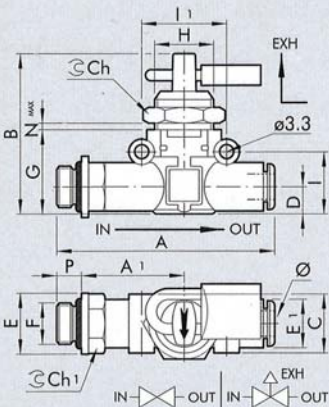
Code	Ref.	Ø	F	P	A	A1	B	C	D	E	E1	G	H	I	II	Ch	Ch1	Nmax	
-	V2V L 6-1/8 KEY	6	1/8	6	58.5	27.8	41	14.7	6.4	14	11.4	21	M15x1	14.6	20	17	12	5.5	
-	V3V L 6-1/8 KEY																		
-	V2V L 6-1/4 KEY	6	1/4	8	61.5	28.8	41	14.7	6.4	18	11.4	21	M15x1	14.6	20	17	14	5.5	
-	V3V L 6-1/4 KEY																		
-	V2V L 8-1/8 KEY	8	1/8	6	66.2	31.8	46	18.7	9.1	15	13.8	26	M15x1	18.7	24	17	14	5.5	
-	V3V L 8-1/8 KEY																		
-	V2V L 8-1/4 KEY	8	1/4	8	70.6	34.2	46	18.7	9.1	18	13.8	26	M15x1	18.7	24	17	14	5.5	
-	V3V L 8-1/4 KEY																		
-	V2V L 8-3/8 KEY	8	3/8	9	72.2	34.8	46	18.7	9.1	22	13.8	26	M15x1	18.7	24	17	17	5.5	
-	V3V L 8-3/8 KEY																		

V2V/V3V L THREAD-PIPE



Code	Ref.	F	Ø	P	A	A1	B	C	D	E	E1	G	H	I	II	Ch	Ch1	Nmax	
451.018-6	V2V L 1/8-6	1/8	6	6	58.5	27.8	41	14.7	6.4	14	11.4	21	M15x1	14.6	20	17	12	5.5	
-	V3V L 1/8-6																		
451.014-6	V2V L 1/4-6	1/4	6	8	61.5	28.8	41	14.7	6.4	18	11.4	21	M15x1	14.6	20	17	14	5.5	
-	V3V L 1/4-6																		
451.018-8	V2V L 1/8-8	1/8	8	6	66.2	31.8	46	18.7	9.1	15	13.8	26	M15x1	18.7	24	17	14	5.5	
-	V3V L 1/8-8																		
451.014-8	V2V L 1/4-8	1/4	8	8	70.6	34.2	46	18.7	9.1	18	13.8	26	M15x1	18.7	24	17	14	5.5	
-	V3V L 1/4-8																		
451.038-8	V2V L 3/8-8	3/8	8	9	72.2	34.8	46	18.7	9.1	22	13.8	26	M15x1	18.7	24	17	17	5.5	
-	V3V L 3/8-8																		

V2V/V3V L THREAD-PIPE PADLOCKED



Code	Ref.	F	Ø	P	A	A1	B	C	D	E	E1	G	H	I	II	Ch	Ch1	Nmax	
-	V2V L 1/8-6 KEY	1/8	6	6	58.5	27.8	41	14.7	6.4	14	11.4	21	M15x1	14.6	20	17	12	5.5	
-	V3V L 1/8-6 KEY																		
-	V2V L 1/4-6 KEY	1/4	6	8	61.5	28.8	41	14.7	6.4	18	11.4	21	M15x1	14.6	20	17	14	5.5	
-	V3V L 1/4-6 KEY																		
-	V2V L 1/8-8 KEY	1/8	8	6	66.2	31.8	46	18.7	9.1	15	13.8	26	M15x1	18.7	24	17	14	5.5	
-	V3V L 1/8-8 KEY																		
-	V2V L 1/4-8 KEY	1/4	8	8	70.6	34.2	46	18.7	9.1	18	13.8	26	M15x1	18.7	24	17	14	5.5	
-	V3V L 1/4-8 KEY																		
-	V2V L 3/8-8 KEY	3/8	8	9	72.2	34.8	46	18.7	9.1	22	13.8	26	M15x1	18.7	24	17	17	5.5	
-	V3V L 3/8-8 KEY																		

Summary Art. No.:

Art. No.	Ident No.
450-6	106831
450-8	106832
451.018-6	106833
451.018-8	106834
451.014-6	106835
451.014-8	106836
451.038-8	106837
452.018-6	106838
452.018-8	106839
452.014-6	106840
452.014-8	106841
452.038-8	106842