

# Manual Control Valve 8050/51



GS 1 series

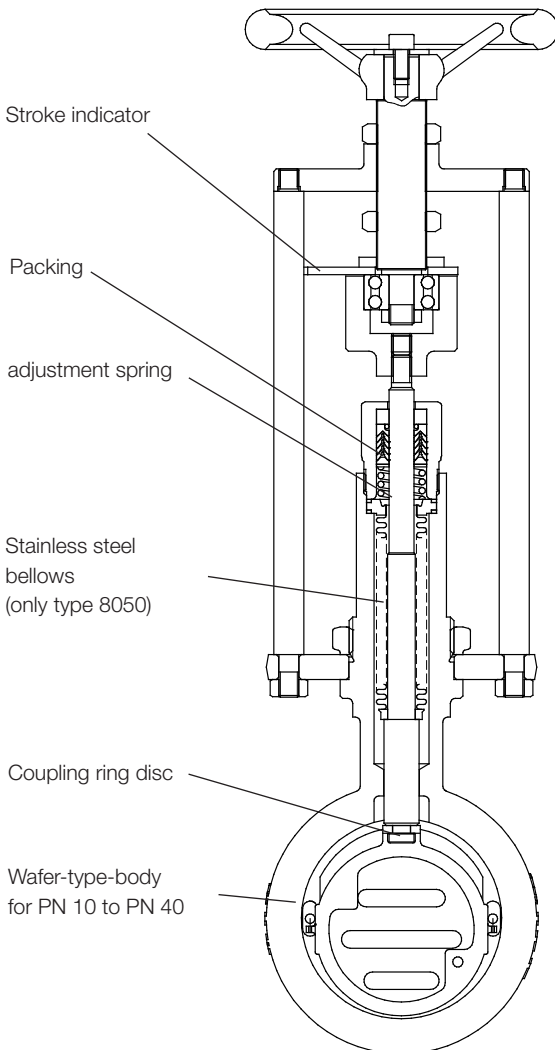
DN 15 up to DN 150

**Manual control valve for neutral through to highly aggressive media.**

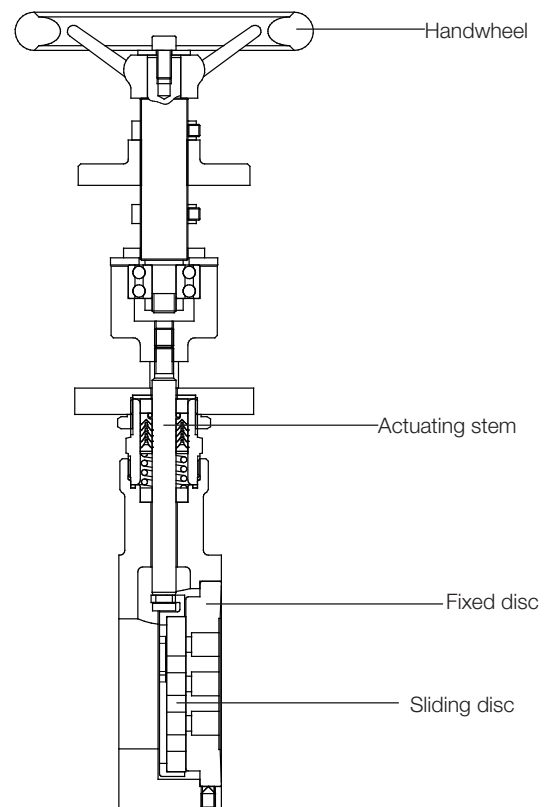
- Precise control by hand
- Lowest possible weight (especially in larger sizes)
- High Kvs-values
- Low leakage rate
- Simple handling of high pressure differences



**Type 8050  
(long design)**



**Type 8051  
(short design)**



## Technical Information

Body design	Flangeless, wafer-type construction dimensions to DIN EN 558-1 series 20		
Nominal sizes	DN 15 up to DN 150 Type 8050 DN 15 up to DN 125 Type 8051		
Nominal pressure	PN 40 acc. DIN 2401 also for flanges PN 10 up to PN 25		
Media temperature	Body 1.0570 -10°C up to +300°C Body 1.4571 -60°C up to +350°C (+300°C for SFC) Body (short) up to +230°C		
Leakage (% of Kvs)	Disc pair Carbon-stainless steel < 0,0001	Disc pair SFC < 0,0005	Disc pair STN 2 < 0,001

## Admissible Differential Pressure (For temperatures of up to 120°C)

**For temperatures of 120°C and above:  
obey application limits !**

DN	carbon/SFC- stainless steel	STN2
	max. differential pressures	
	bar	bar
15	40	40
20	40	40
25	40	40
32	40	40
40	40	27
50	40	40
65	40	38
80	40	22
100	25	13
125	16	9
150	16	11

## Applications limits for GS1-Valves made of stainless steel

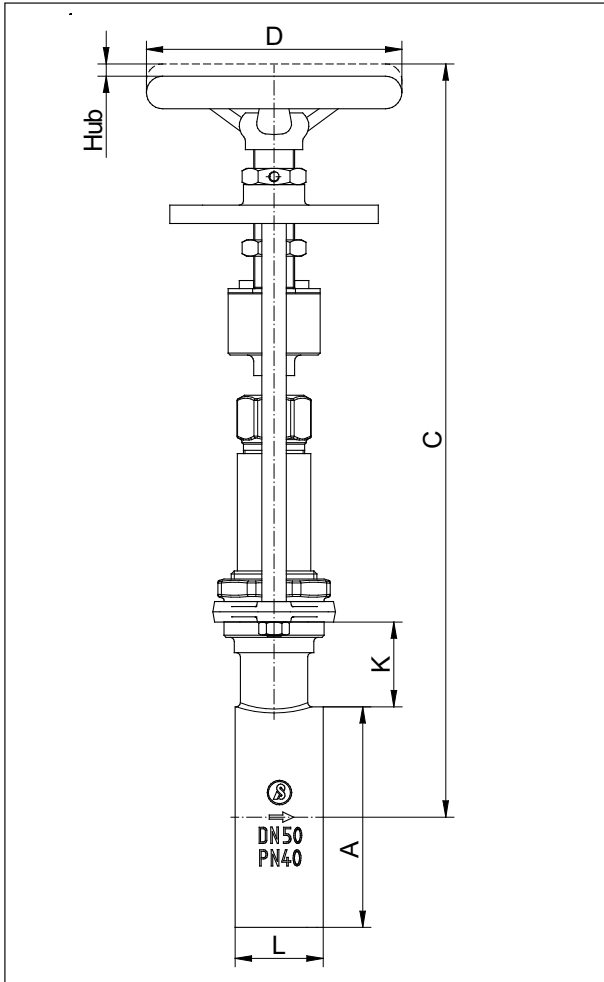
### PN 40

DN	Sliding unit: carbon/SFC - stainless steel, coated						Sliding unit: carbon - STN2					
	max. admissible pressures for GS1-valves											
	100°C	150°C	200°C	250°C	300°C	350°C	100°C	150°C	200°C	250°C	300°C	350°C
15 - 25	40	38	34	33	31	29	40	38	34	33	31	29
32	40	38	34	33	31	29	40	38	34	31	25	22
40	40	38	34	33	31	29	27	25	24	19	16	14
50	40	38	34	33	31	29	40	38	34	33	28	24
65	40	38	34	33	31	29	37	35	33	27	22	19
80	40	38	34	31	26	23	22	21	20	16	13	11
100	24	23	22	19	16	14	13	12	12	10	8,0	7,0
125	16	15	14	12	10	9,0	8,8	8,4	8,0	6,5	5,3	4,6
150	16	15	14	13	12	12	11	10	9,8	7,9	6,5	5,6

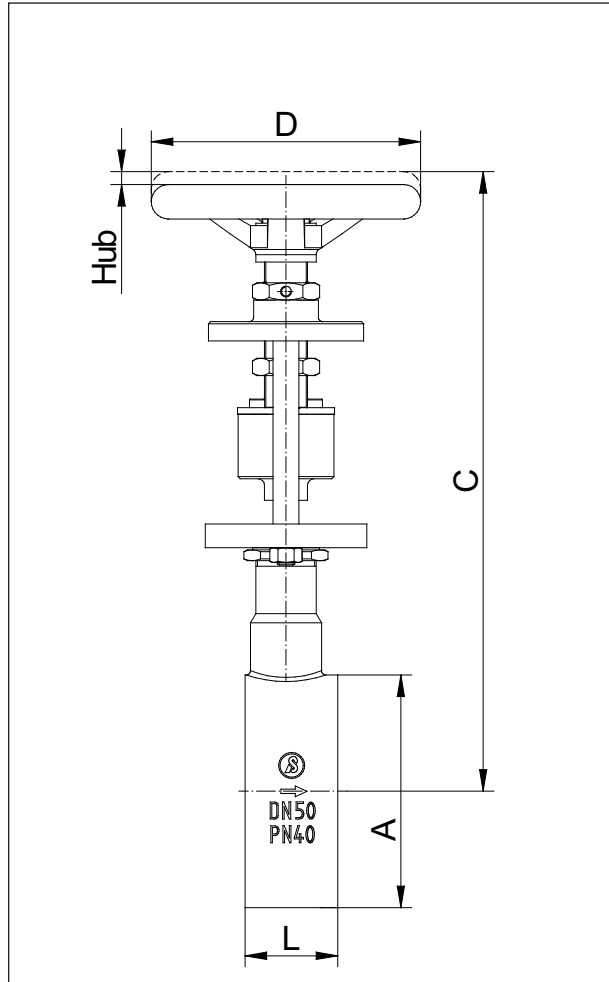
Limitation for valves in carbon steel and SFC-sliding discs: 300°C



## Dimensions and Weights



**Type 8050**



**Type 8051**

DN	A	C max		D	L	Weight in kg		Stroke
		8050	8051			8050	8051	
15	53	332	240	125	33	3,5	2,8	6
20	62	337	245	125	33	3,6	2,9	6
25	72	342	250	125	33	3,7	3	6
32	82	344	255	125	33	3,8	3,1	6
40	92	347	260	125	33	3,9	3,2	6
50	108	362	285	125	43	5	4,3	8
65	127	372	295	125	46	5,5	4,8	8
80	142	377	300	125	46	6,2	5,5	8
100	164	392	315	125	52	7,4	6,7	8,5
125	194	407	330	125	56	9,4	8,7	8,5
150	219	422	-	125	56	11,2	-	8,5

Dimensions in mm